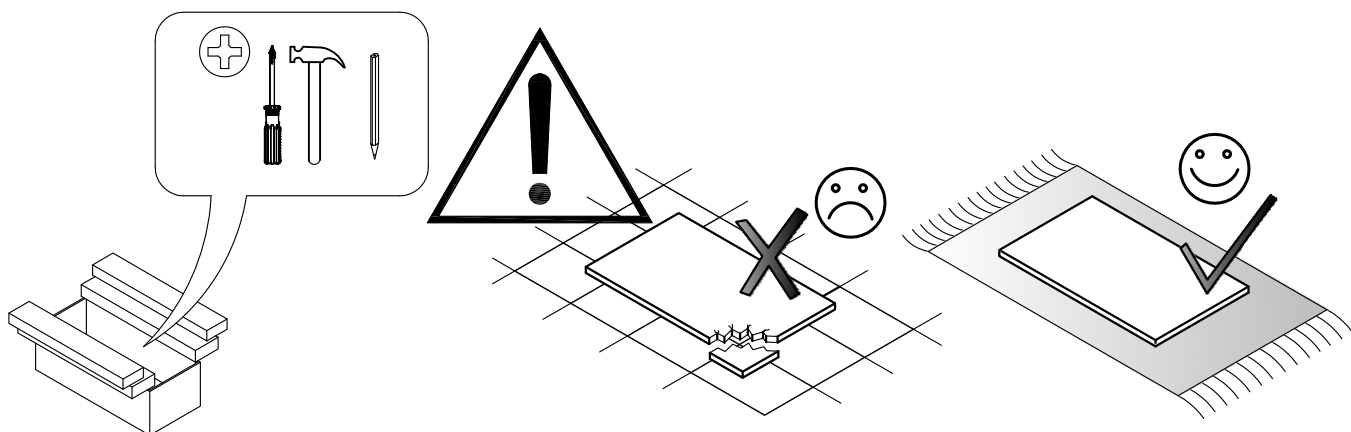
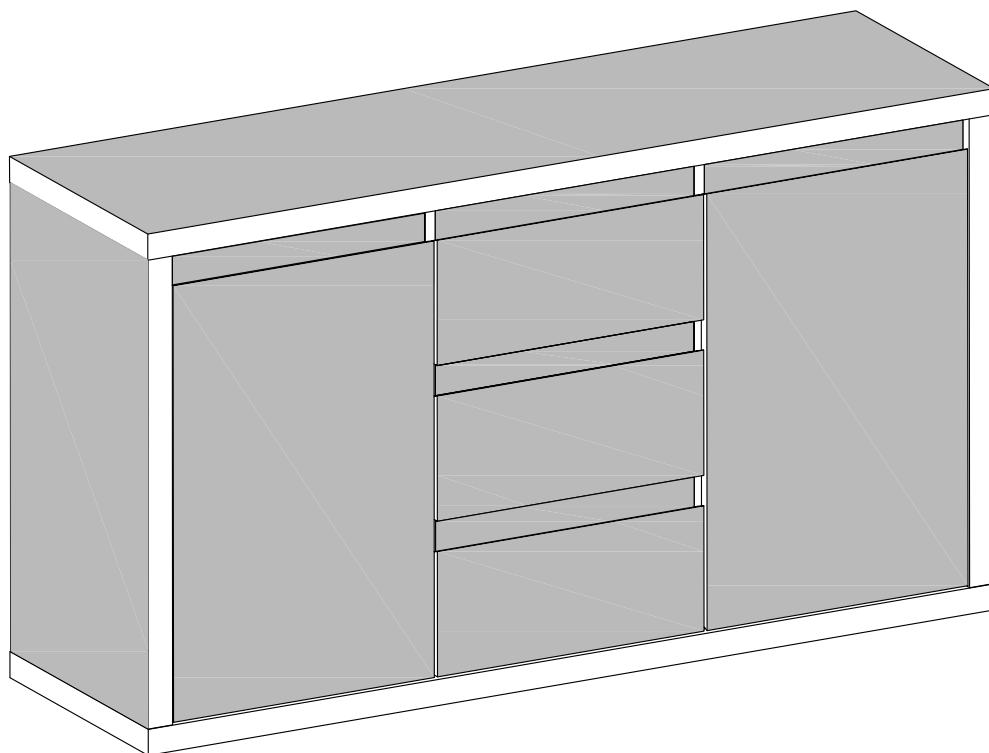
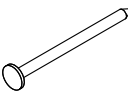




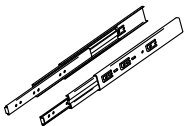
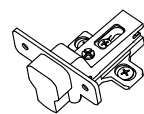
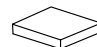
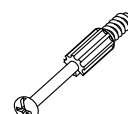

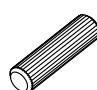
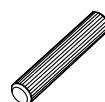

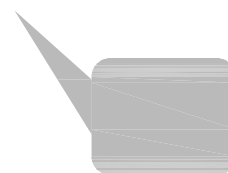


A	B	C	D
1	681x394x38	1	1/2
2	681x377x16	1	2/2
3	681x377x16	1	2/2
4	681x394x38	1	1/2
5	408x376x16	2	2/2
6	1328x376x3	2	1/2
7	1334x395x38	1	1/2
8	1334x395x38	1	1/2
9	408x70x16	5	2/2
10	411x634x16	2	2/2
11	366x346x3	3	2/2
12	420x182x16	3	2/2
13	350x113x16	6	2/2
14	352x100x16	3	2/2
15	352x100x16	3	2/2

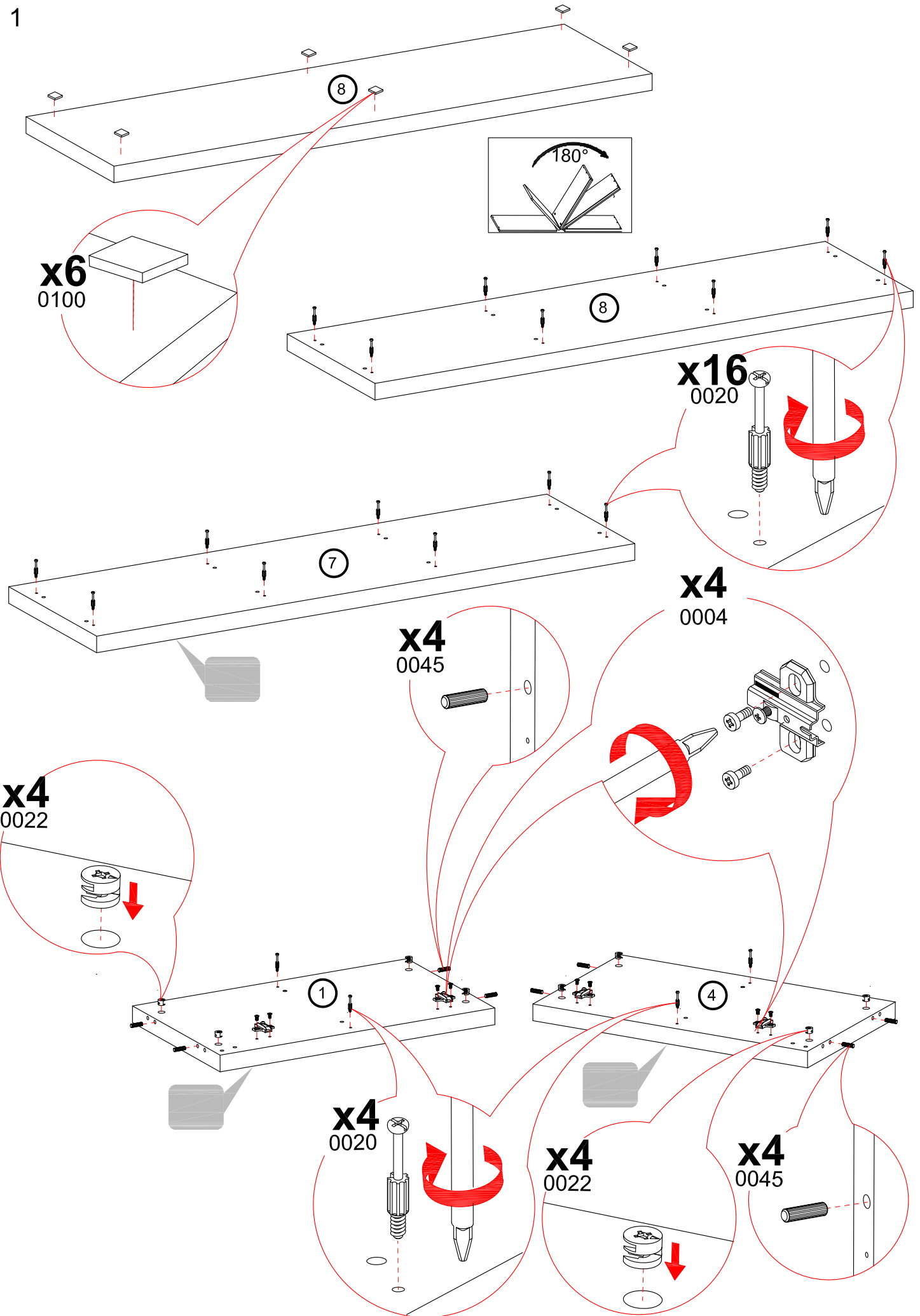


<p>0059</p>  <p>x114</p>	<p>0026</p>  <p>3,5x13 x24</p>	<p>0032</p>  <p>4x13 x8</p>	<p>0037</p>  <p>4x25 x12</p>	<p>0039</p>  <p>4x35 x12</p>
<p>0083</p>  <p>L=350 x3</p>	<p>0004</p>  <p>H=0 x4</p>	<p>0100</p>  <p>x6</p>	<p>0020</p>  <p>x24</p>	
<p>0022</p>  <p>x24</p>	<p>0045</p>  <p>8x30 x48</p>	<p>0047</p>  <p>8x50 x4</p>	<p>0246</p>  <p>x10</p>	

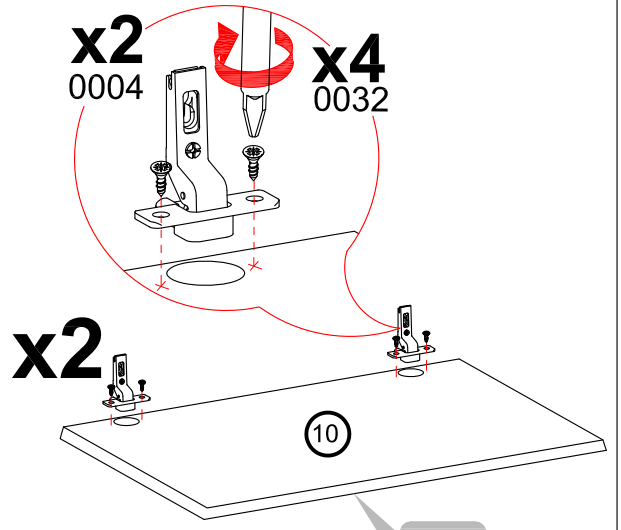
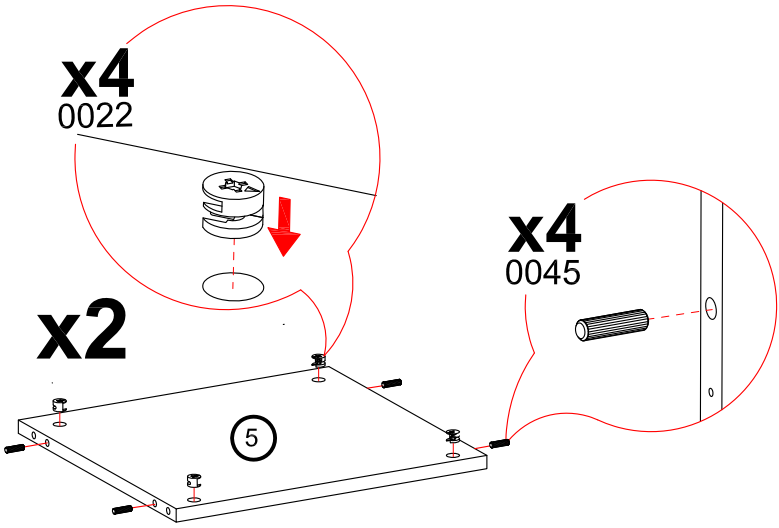
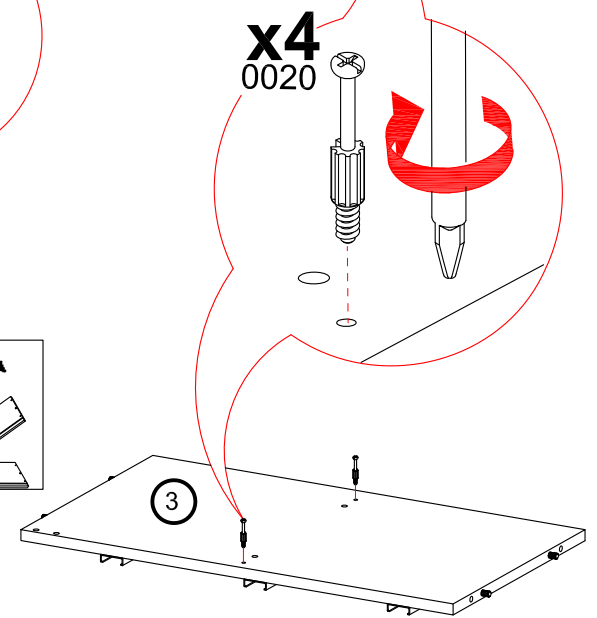
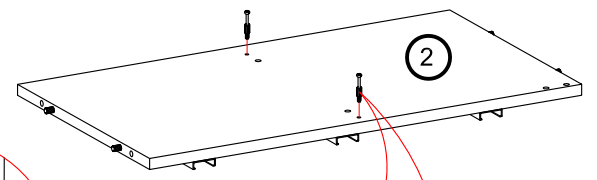
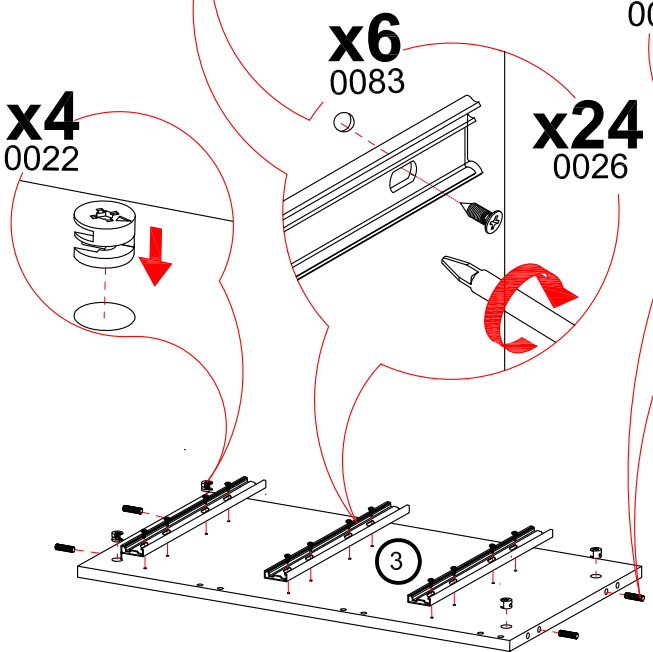
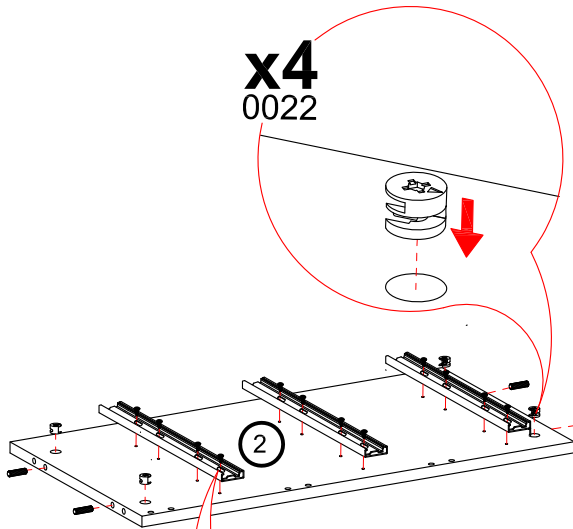
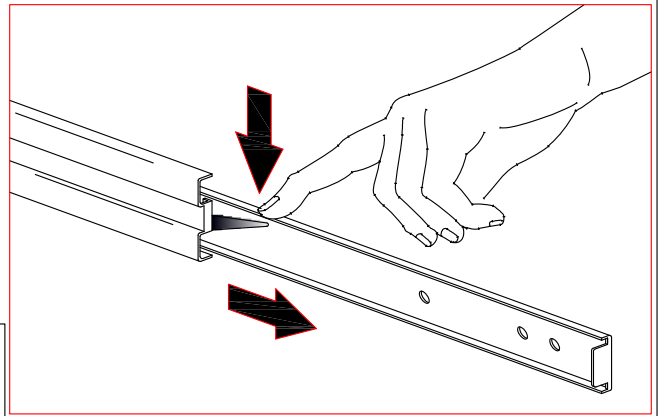


**-ГЛЯНЕЦ**

1

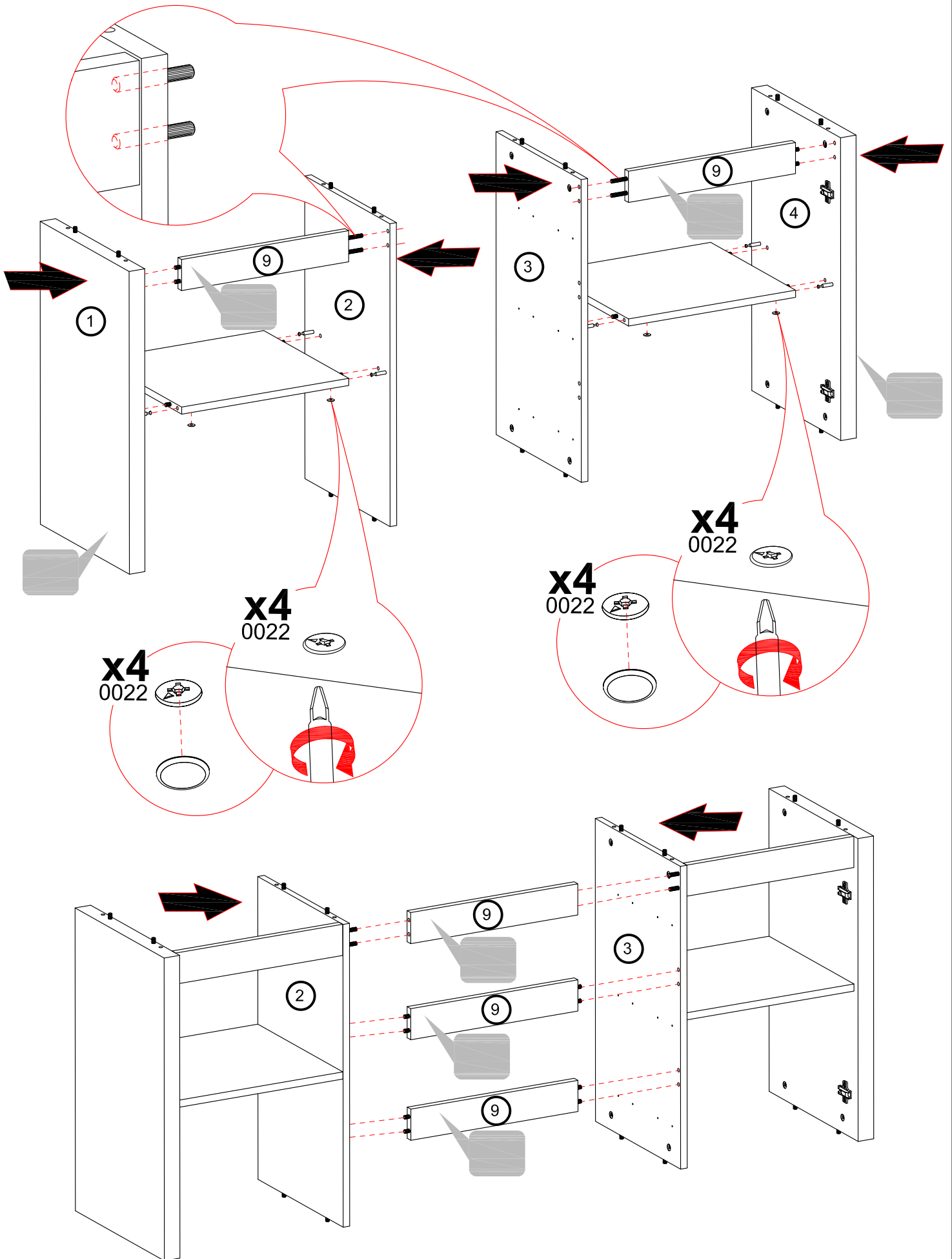


2

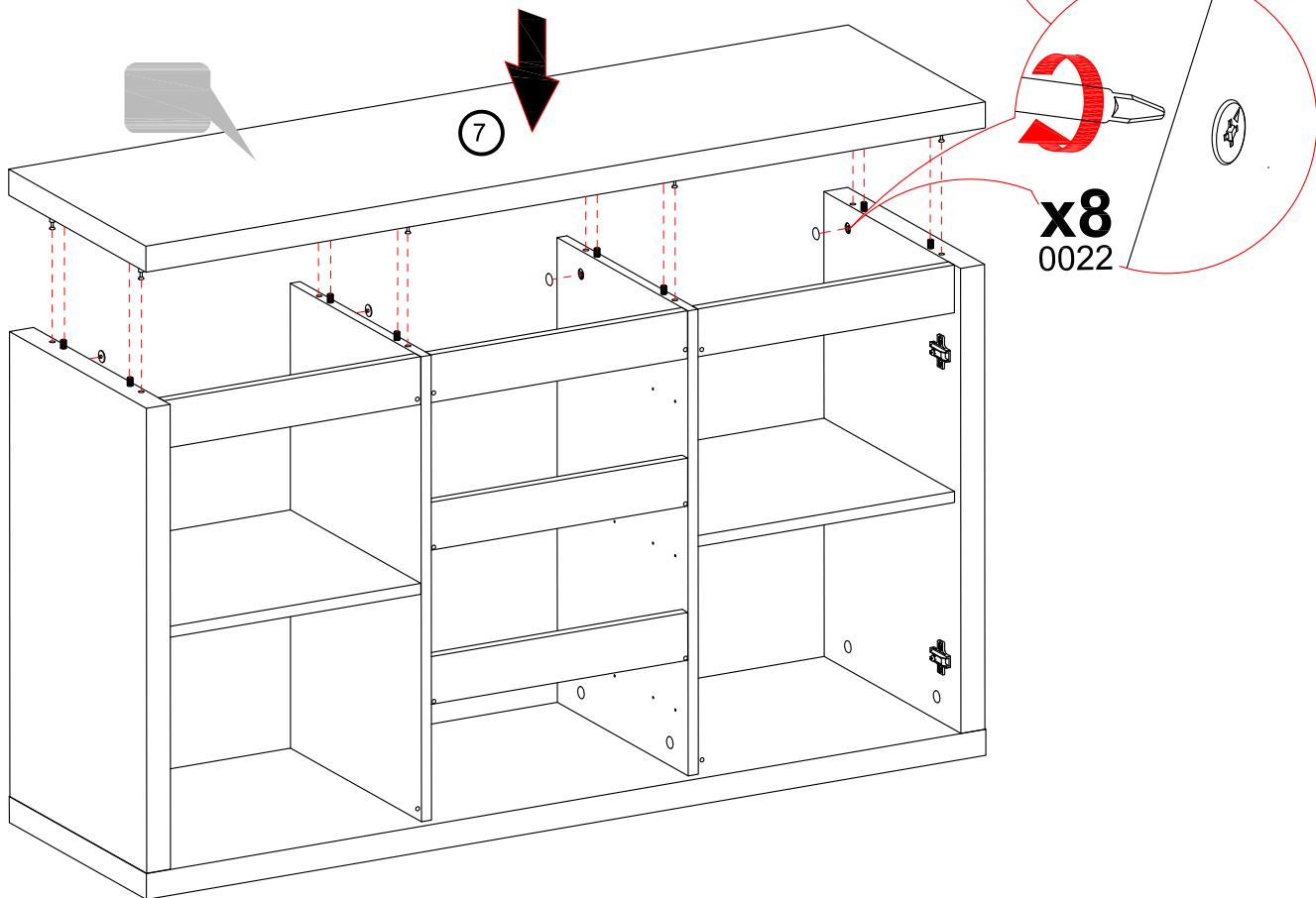
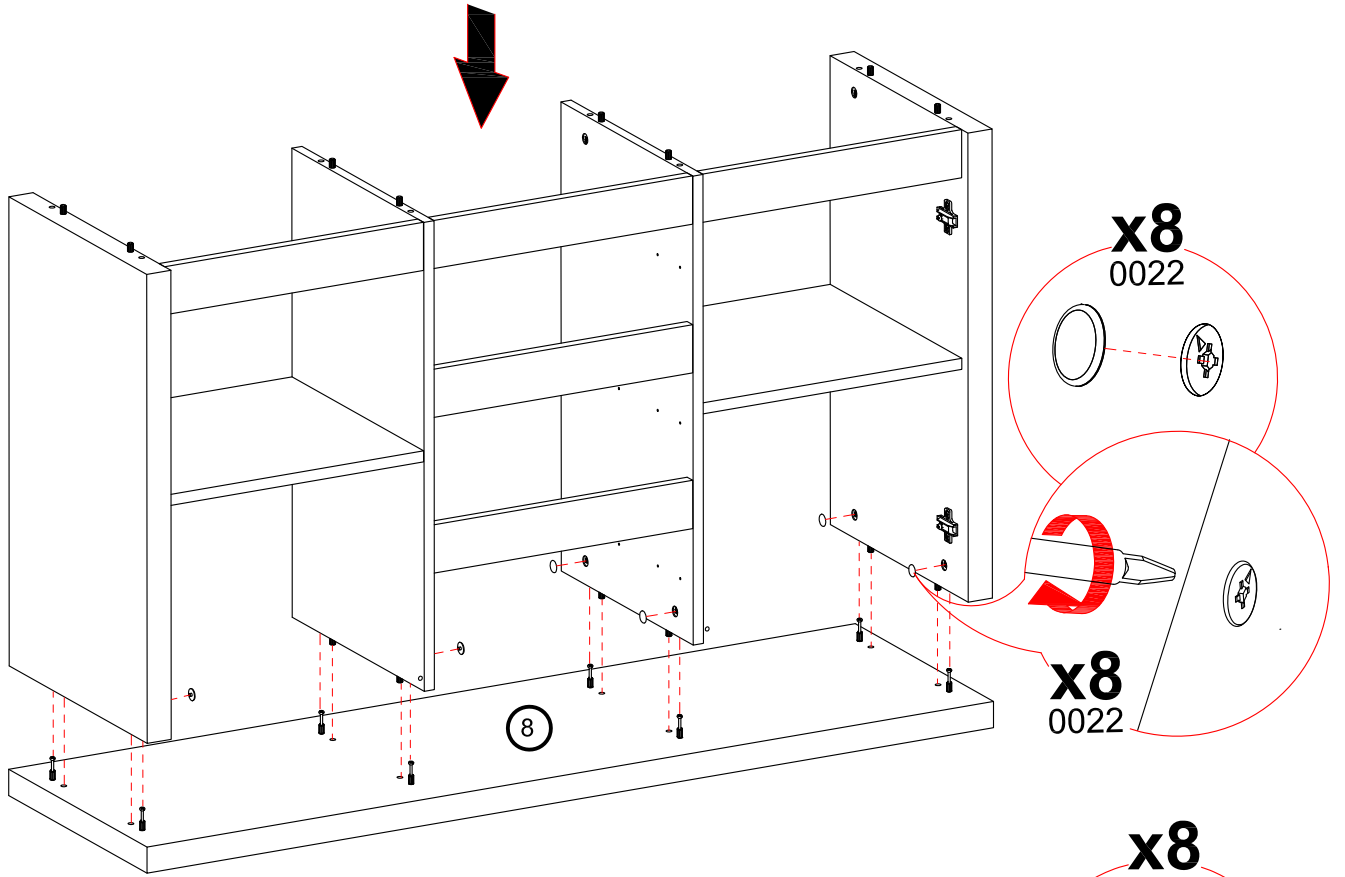




5



6



7

