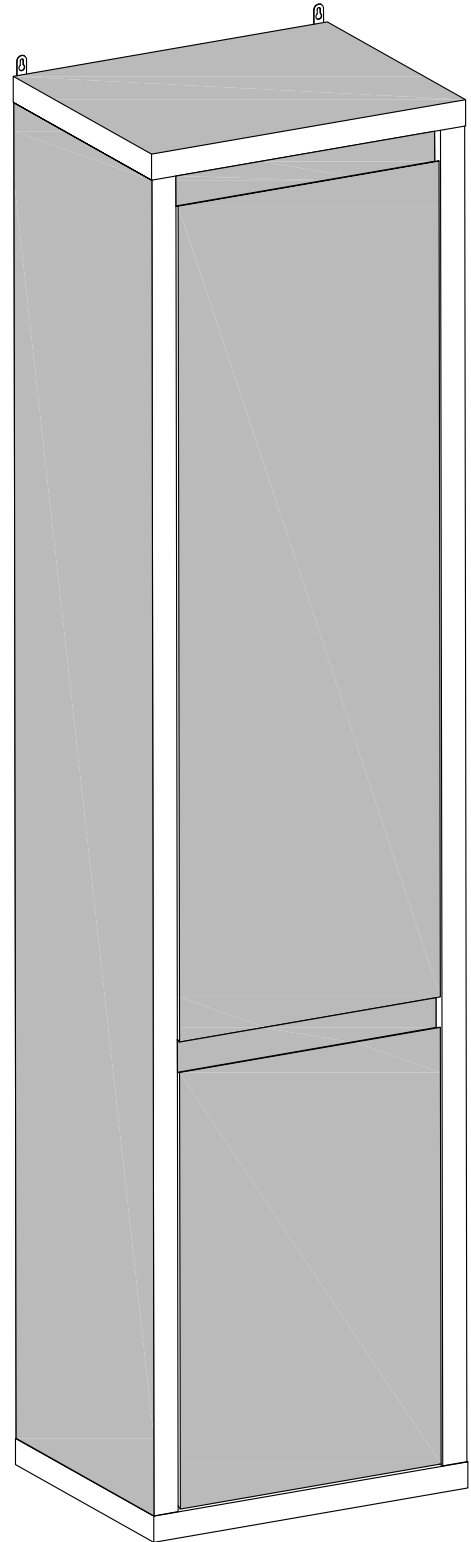
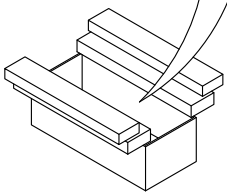
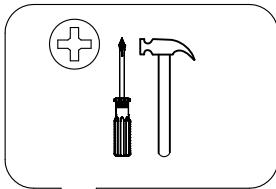
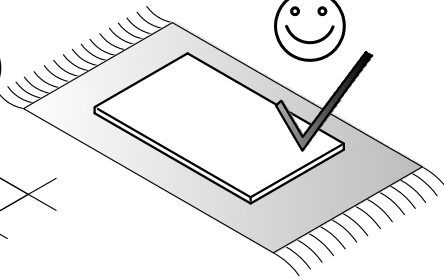
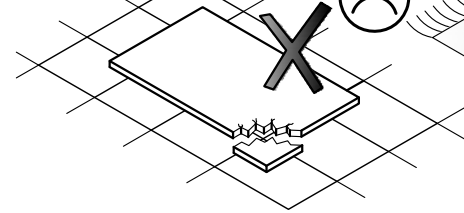
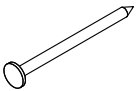


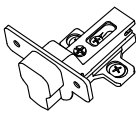
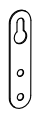
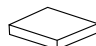
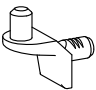
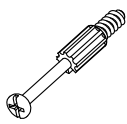
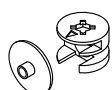
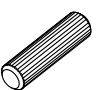
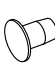

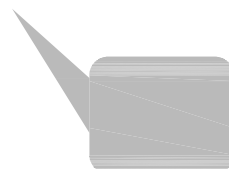


A	B	C	D
1	1940x394x38	1	1/2
2	1940x394x38	1	1/2
3	417x361x16	1	2/2
4	1969x439x3	1	1/2
5	495x395x38	1	1/2
6	495x395x38	1	1/2
7	417x70x16	2	2/2
8	417x366x16	4	2/2
9	411x634x16	1	2/2
10	411x1214x16	1	2/2



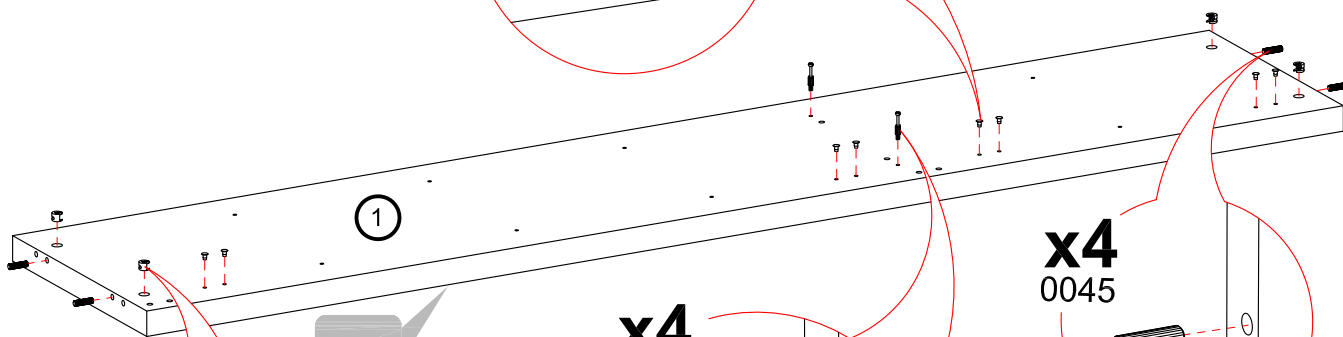
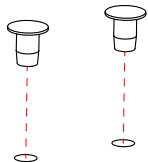
0059  x62	0032  4x13 x8	0035  4x20 x4
0004  H=0 x4	0228  x2	0100  x4
0052  x16	0020  x12	0022  x12
0045  8x30 x20	0079  Ø5 x8	0246  x4



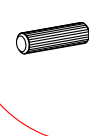
-ГЛЯНЕЦ

1

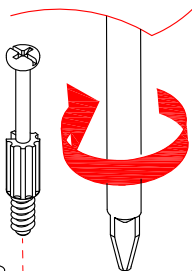
x8
0079



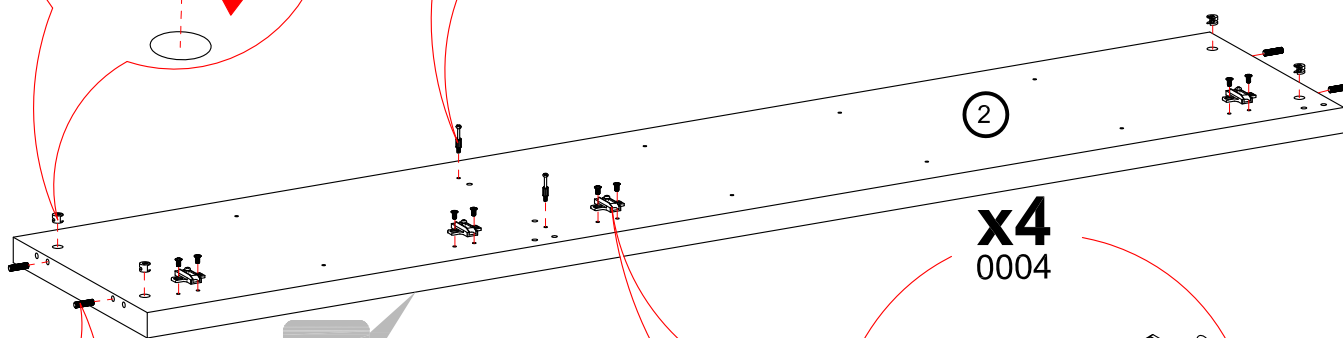
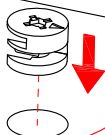
x4
0045



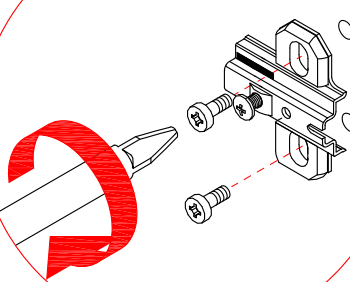
x4
0020



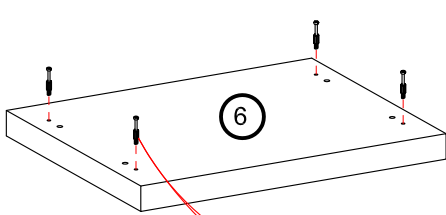
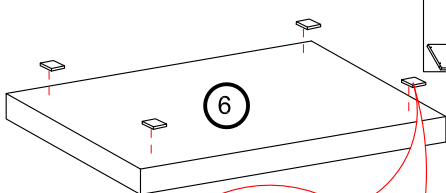
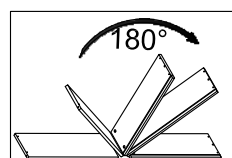
x8
0022



x4
0004

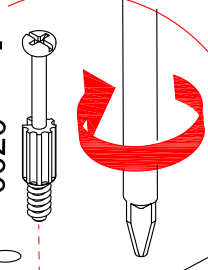


x4
0045

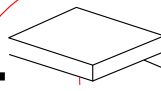


x4

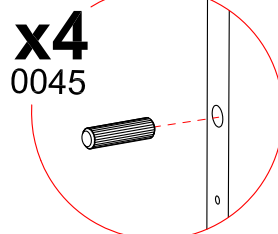
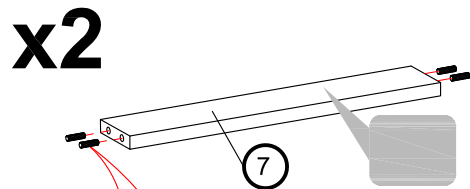
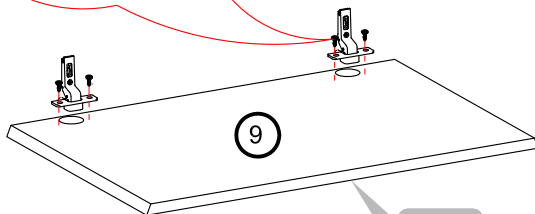
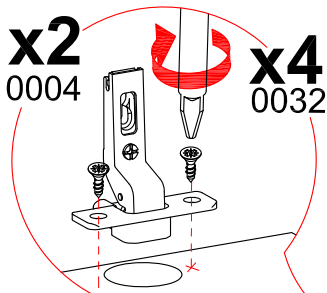
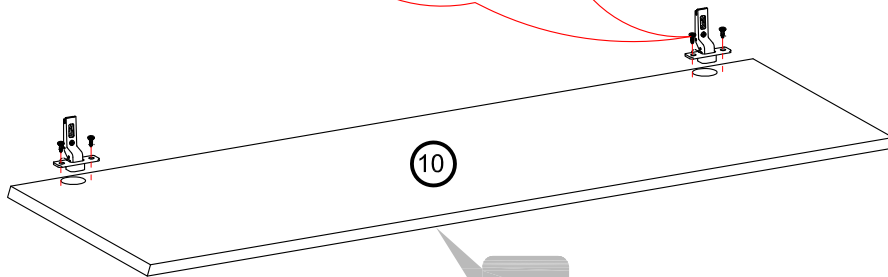
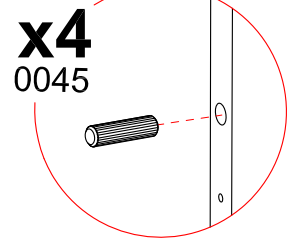
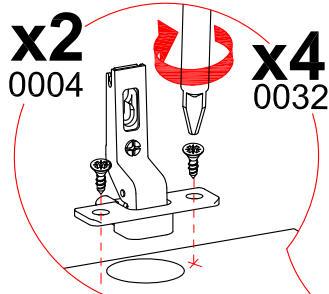
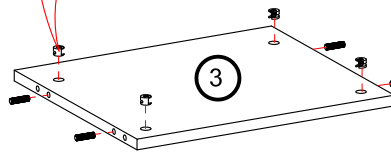
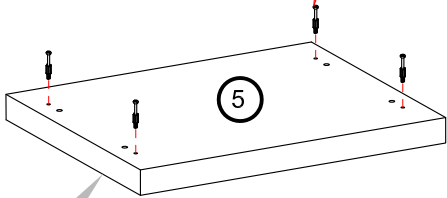
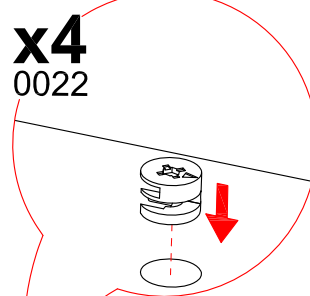
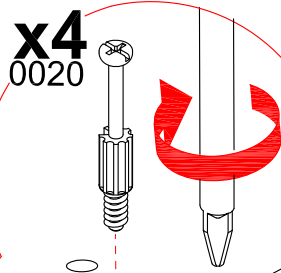
0020

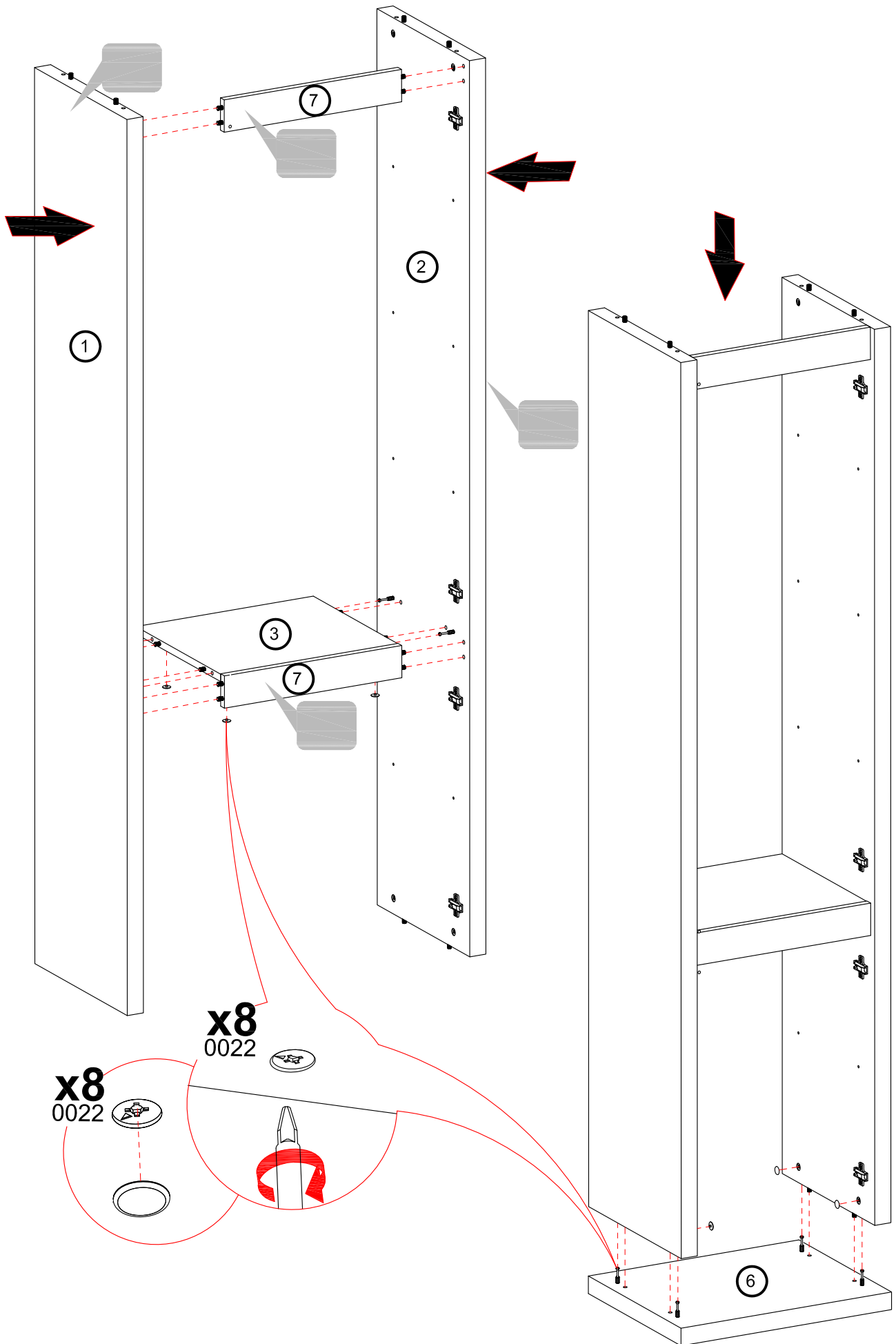


x4
0100

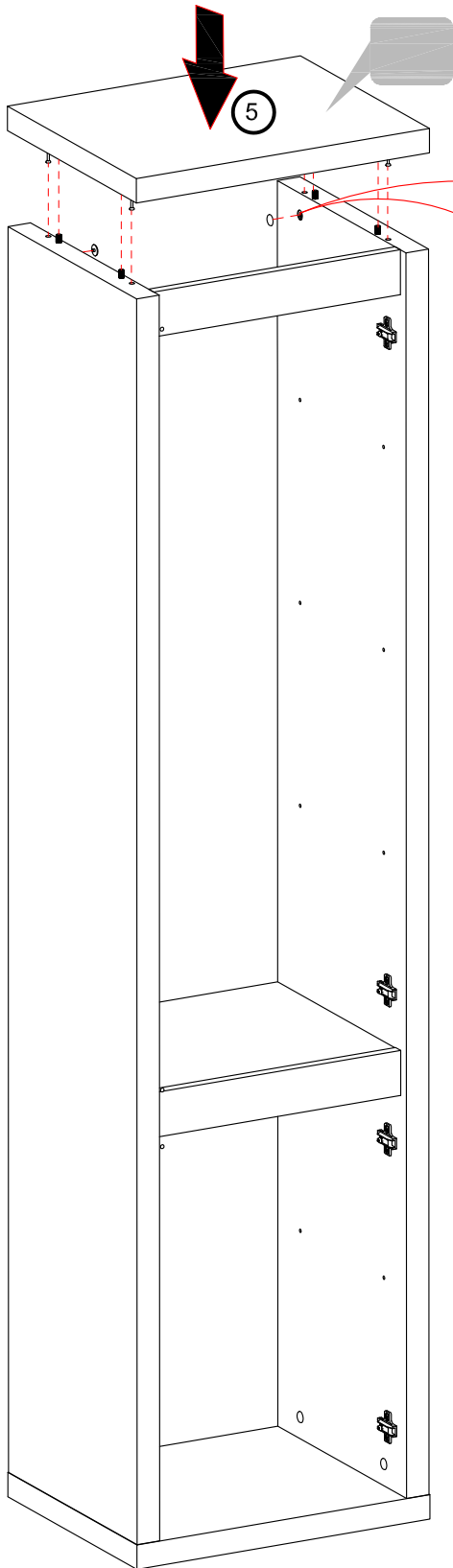


2





4



x4
0022

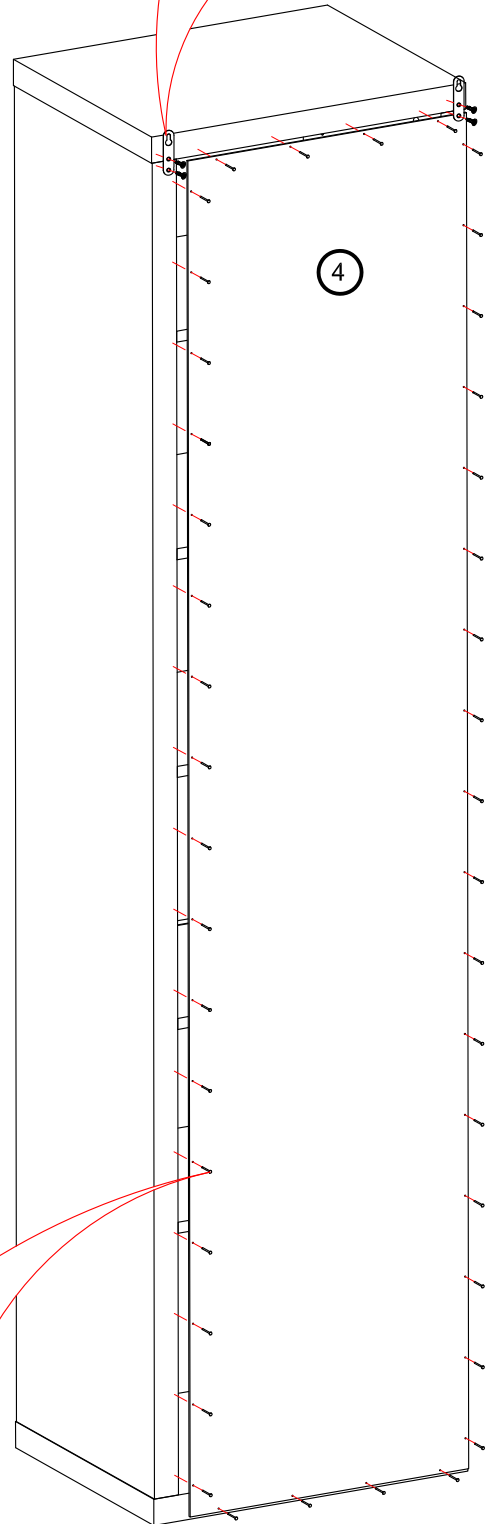
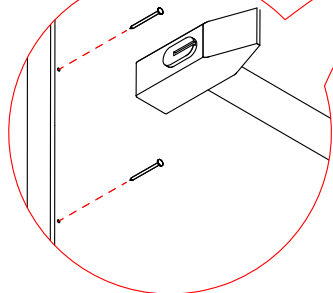
x4
0022

x2
0228

x4
0035

4

x62
0059



5

